

Package: OX-360A

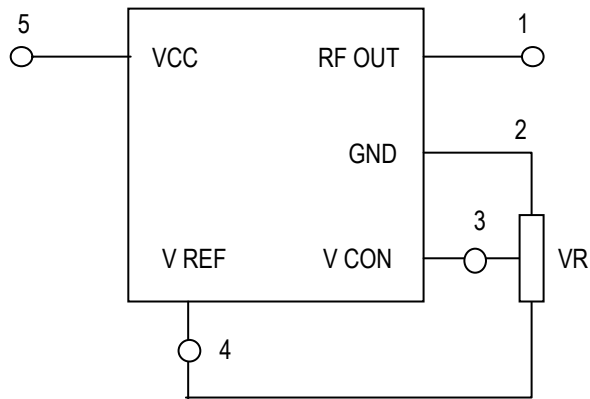
Features

- Frequency range: 5 ~100 MHz
- Standard Frequency: 10, 12.8, 13, 16.384, 20, 25 MHz
- Standard Voltage: 5.0 VDC
- Output: Sinewave or HCMOS
- Small package: OX-360A, 26.7x 35.4x16.5 mm³, ± 0.3 mm for each length
- High stability over temperature: 1x10⁻⁸ (10 ppb)

Specifications

Parameters	Condition	Units	Min	Typ	Max	Remark
Frequency		MHz	5.000	10.000	100.000	
Frequency Stability	vs. Temperature		1x10 ⁻⁸		10x10 ⁻⁸	-40 ~ +85°C
	vs. DC Supply		1x10 ⁻⁹		5x10 ⁻⁹	/ % change
	vs. Load		1x10 ⁻⁹		5x10 ⁻⁹	/ % change
Temperature Range		°C	-40		85	
Aging	After 72 hours operation		5x10 ⁻¹⁰ / day			
	After 72 hours operation		5x10 ⁻⁸ / year			
Phase Noise	After 30 days operation	10 Hz	dBc		-120	
		100 Hz	dBc		-140	
		1 KHz	dBc		-145	
Input Voltage		VDC	3.3, 5, 12, 15 (consult factory)			± 5%
Current Consumption	25 °C, steady state	mA		150		@ 5 VDC
	Start-up, 5 VDC	mA		500		
Load	Sinewave	Ω		50		
	HCMOS	TTL		3		
Output	Sinewave	dBm	+0, +3, +7			Harmonics < -30 dBc
	HCMOS	V	+0 V @ "0", +4 V @ "1"			TTL compatible
Rise/Fall Time	10 % to 90 %	ns			6	
Duty Cycle			50 % ± 5 %			
Warm Time	@ ± 1x10 ⁻⁷	Minute		2	3	
Tuning Range			± 2x10 ⁻⁷		± 6x10 ⁻⁷	
Tuning Slope			Positive			
Control Voltage		VDC	0		4.5	@ 5 VDC Input
Center Frequency		VDC		2.25		± 0.5 VDC
Pull Range	From normal frequency	ppm	0.5			

Test Circuit



Order Form

Frequency	Between 5 MHz and 100 MHz with floated number	MHz	
Output	HCMOS		
	Sinewave with output level	dBm	
Supply Voltage	3.3 V, 5 V, 12 V	VDC	
Frequency Stability (please check)	1×10^{-8}		
	2×10^{-8}		
	3×10^{-8}		
	5×10^{-8}		
	10×10^{-8}		
Temperature Range (please check)	0 ~ 50 °C		
	-10 ~ 60 °C		
	-20 ~ 70 °C		
	-30 ~ 70 °C		
	-40 ~ 70 °C		
	-40 ~ 85 °C		
Additional Requirement	Tuning Slope	<input type="checkbox"/> Positive <input type="checkbox"/> Negative	
	Phase Noise (Consult factory for better phase noise)	10 Hz	
		100 Hz	
		1 KHz	
	Aging (Consult factory for better phase noise)		/ Day
		/ Year	
Frequency		<input type="checkbox"/> Adjust <input type="checkbox"/> Fixed	