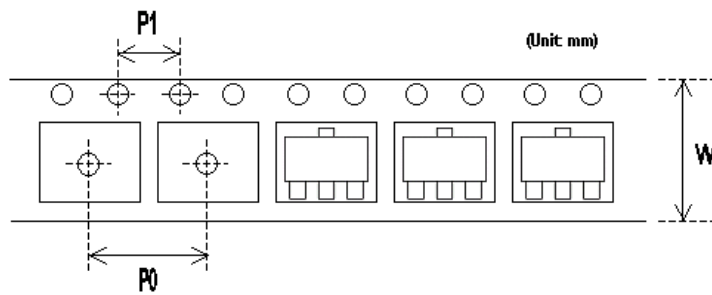


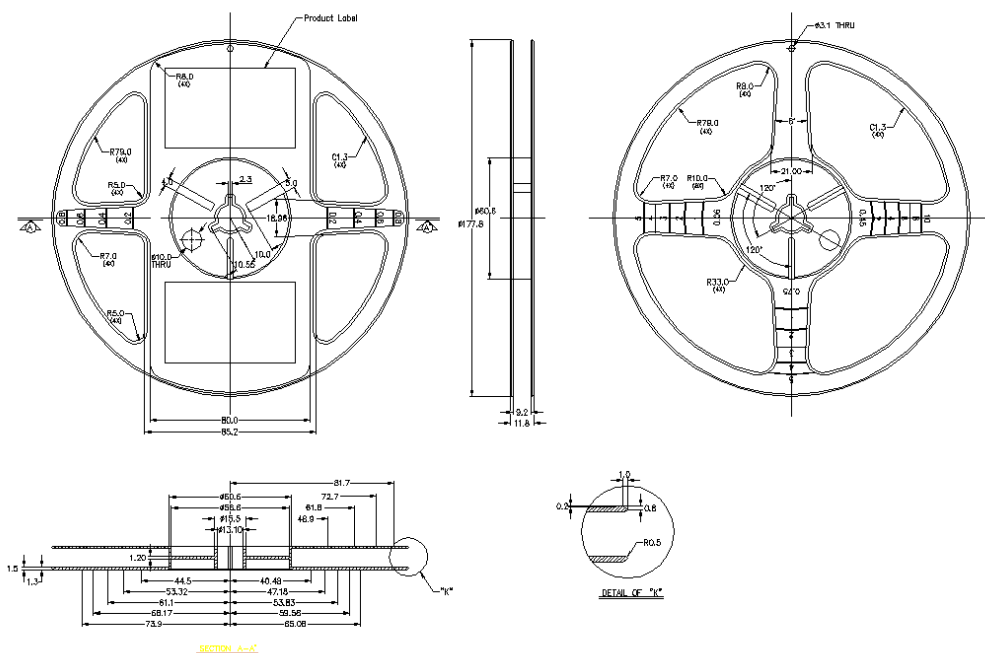
Tape & Reel Information for Plastic Encapsulated MMICs

(Applicable to SOT89, SOIC8, SOT363, SOT343, DFN6, UQFN6, UQFN-14L, TDFN8, TSSOP24, QFN-16L, QFN-24L, TDFN10, Packages)

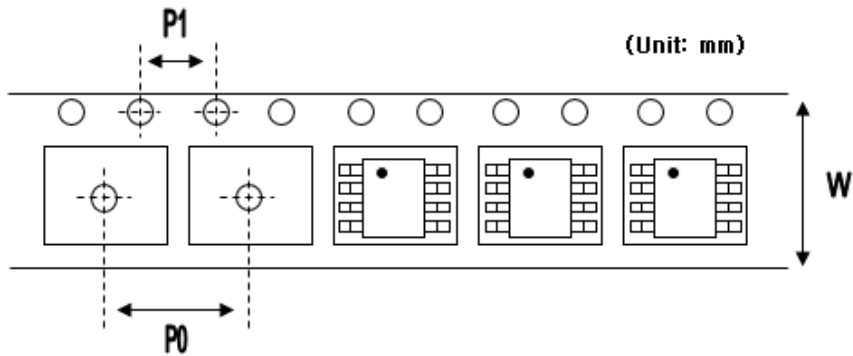
- SOT89 Package



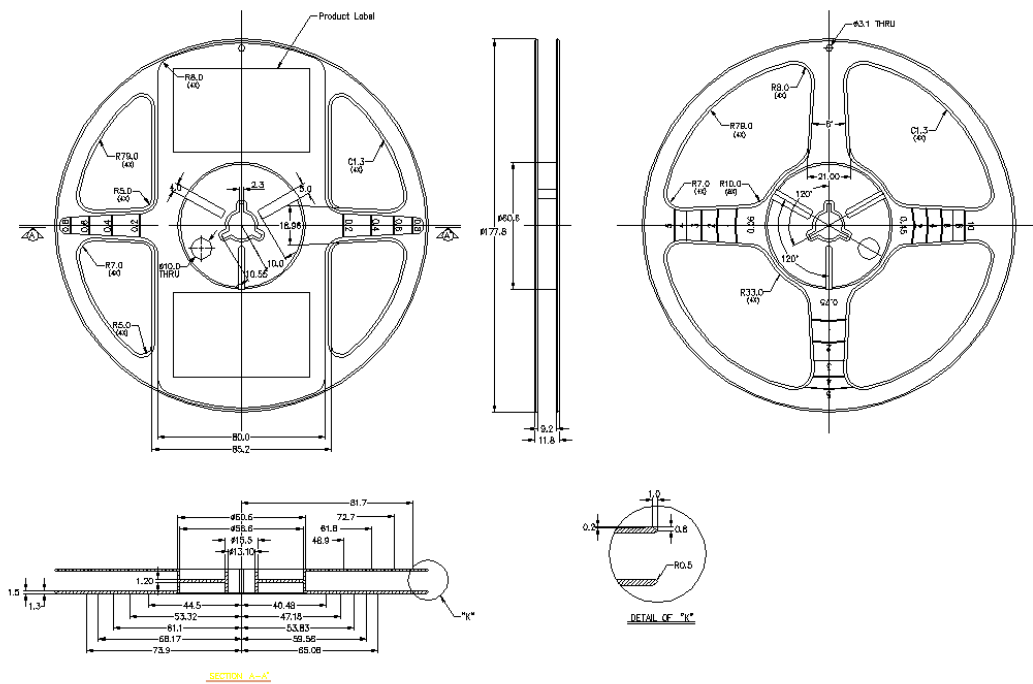
Package	Carrier Width (W)	Pitch (P0)	Pitch (P1)	Part Per Full Reel	Reel Size
SOT-89	12 mm	8 mm	4 mm	1,000 pcs	180 mm



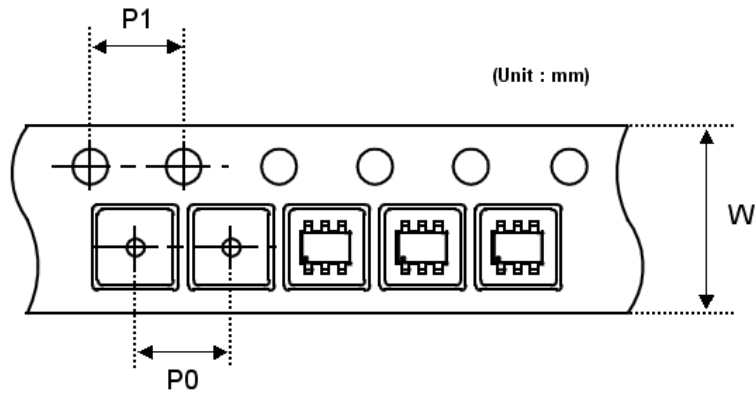
- SOIC8 Package



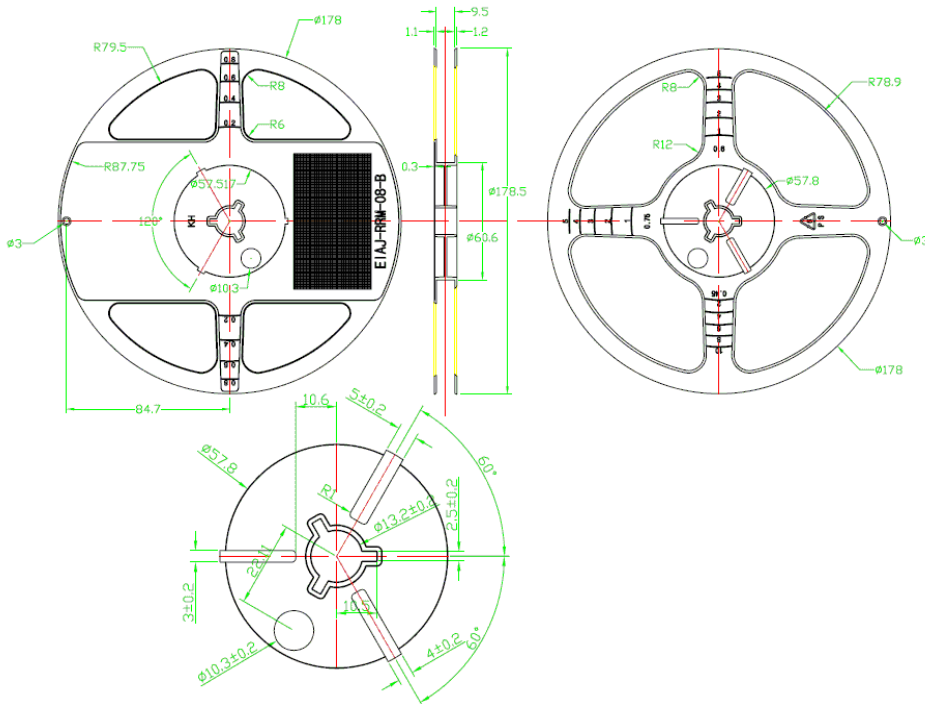
Package	Carrier Width (W)	Pitch (P0)	Pitch (P1)	Part Per Full Reel	Reel Size
SOIC-8	12 mm	8 mm	4 mm	500 or 1,000 pcs	180 mm



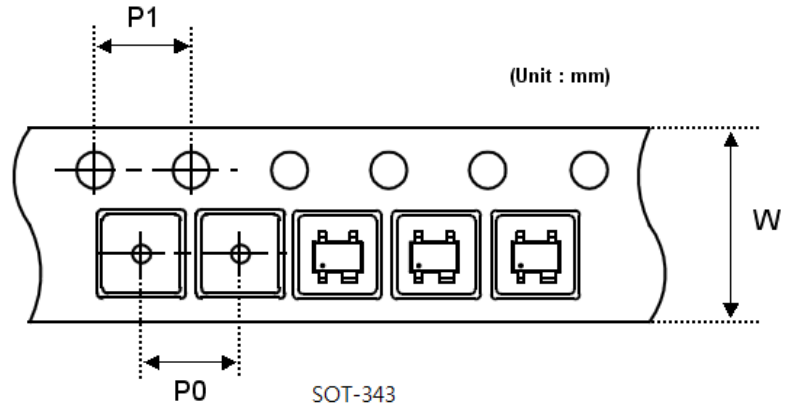
• SOT363 Package



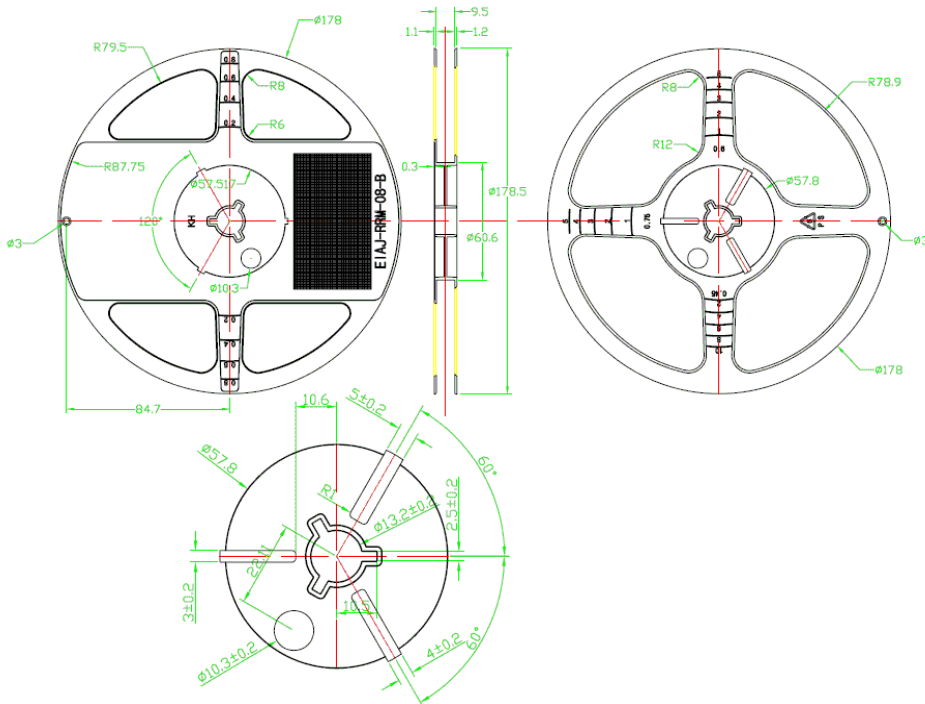
Package	Carrier Width (W)	Pitch (P0)	Pitch (P1)	Part Per Full Reel	Reel Size
SOT-363	8 mm	4 mm	4 mm	3,000 pcs	180 mm



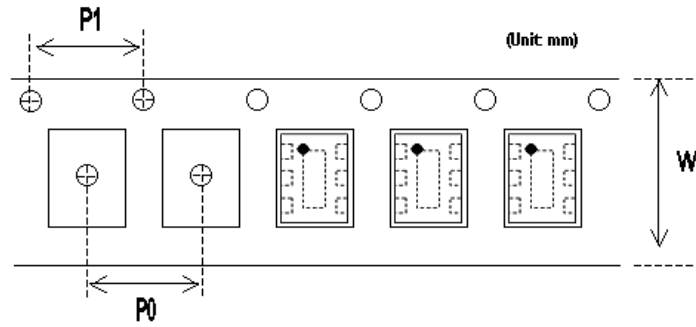
• SOT343 Package



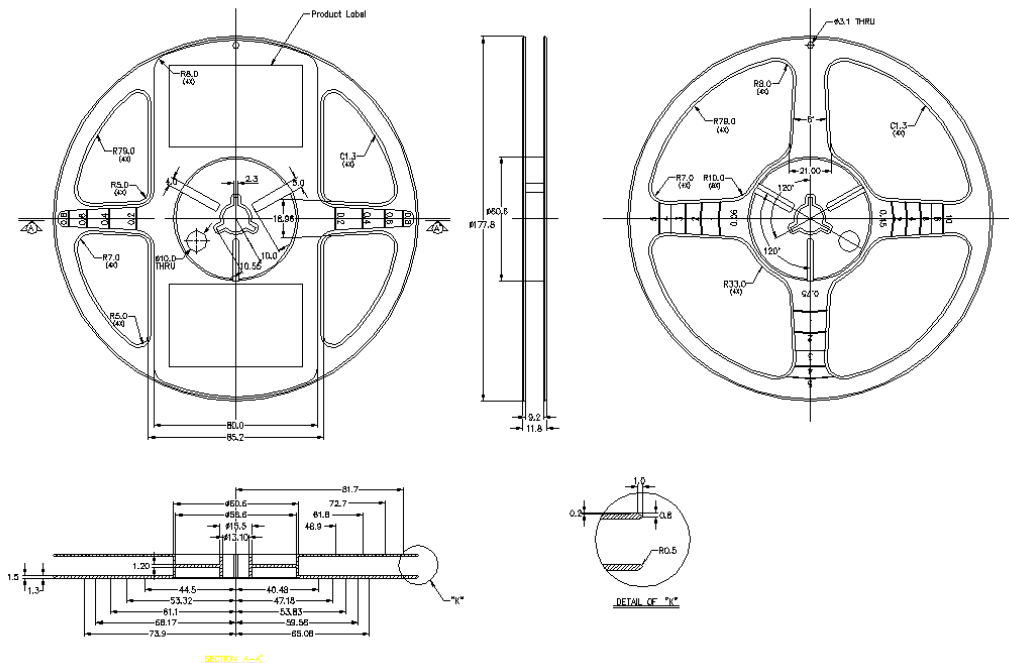
Package	Carrier Width (W)	Pitch (P0)	Pitch (P1)	Part Per Full Reel	Reel Size
SOT-343	8 mm	4 mm	4 mm	3,000 pcs	180 mm



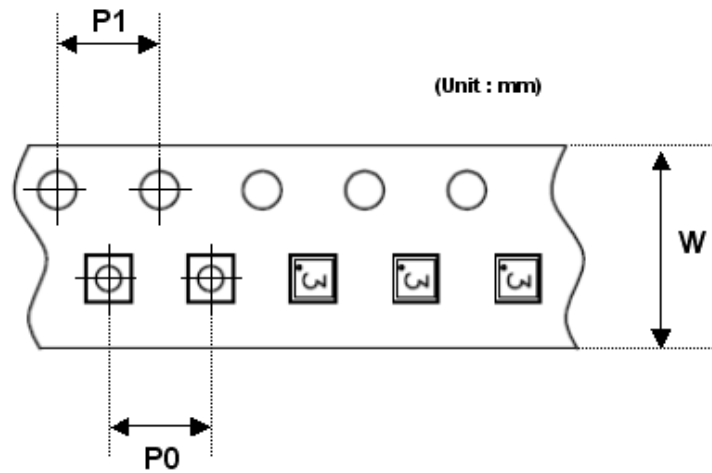
• DFN6 Package



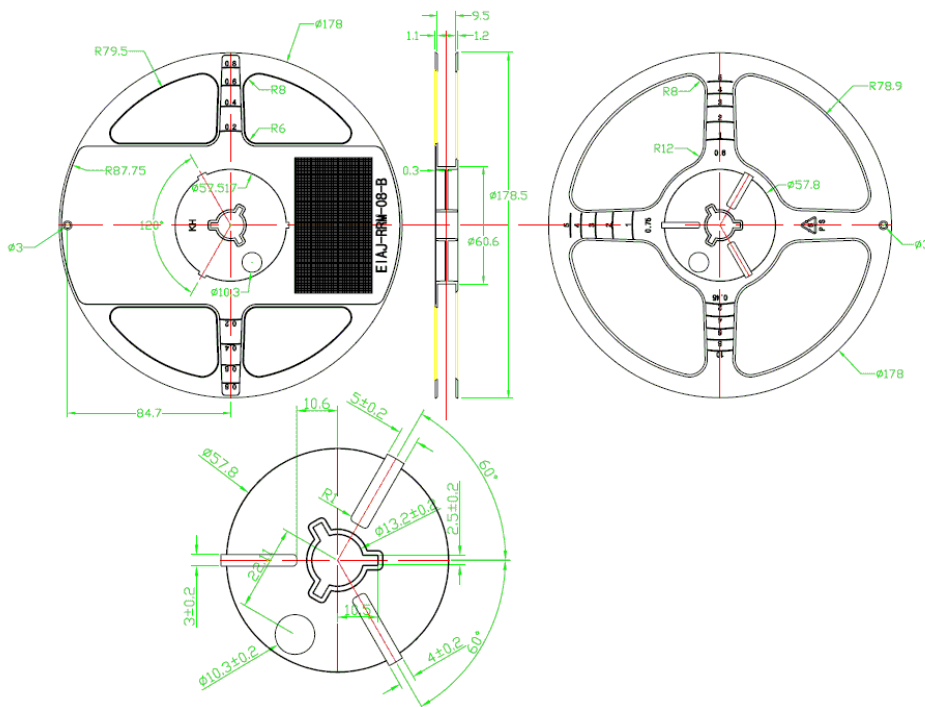
Package	Carrier Width (W)	Pitch (P0)	Pitch (P1)	Part Per Full Reel	Reel Size
DFN-6L	12 mm	8 mm	4 mm	1,000 pcs	180 mm



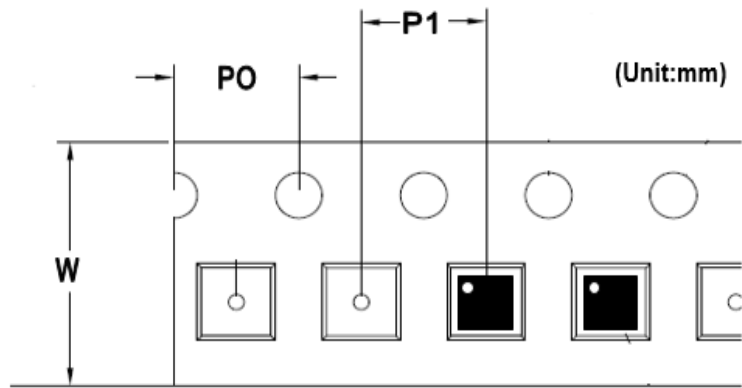
• UQFN-6 Package



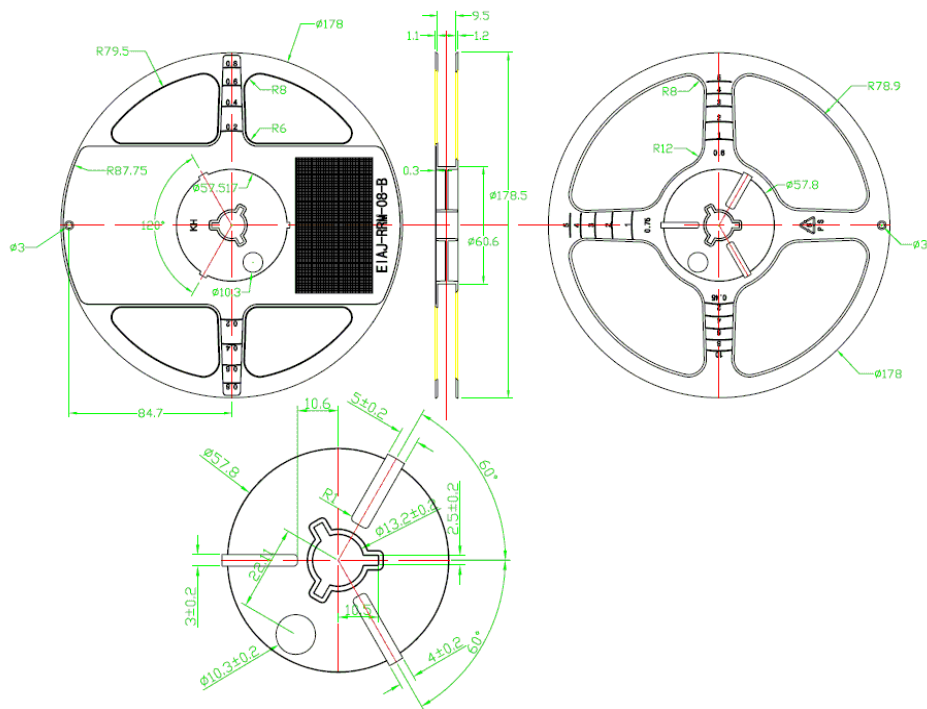
Package	Carrier Width (W)	Pitch (P0)	Pitch (P1)	Part Per Full Reel	Reel Size
UQFN-6	8 mm	4 mm	4 mm	3,000 pcs	180 mm



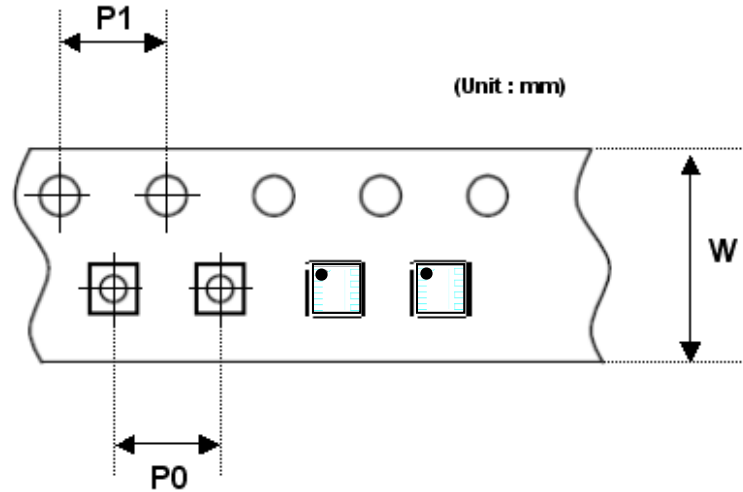
• UQFN-14L Package



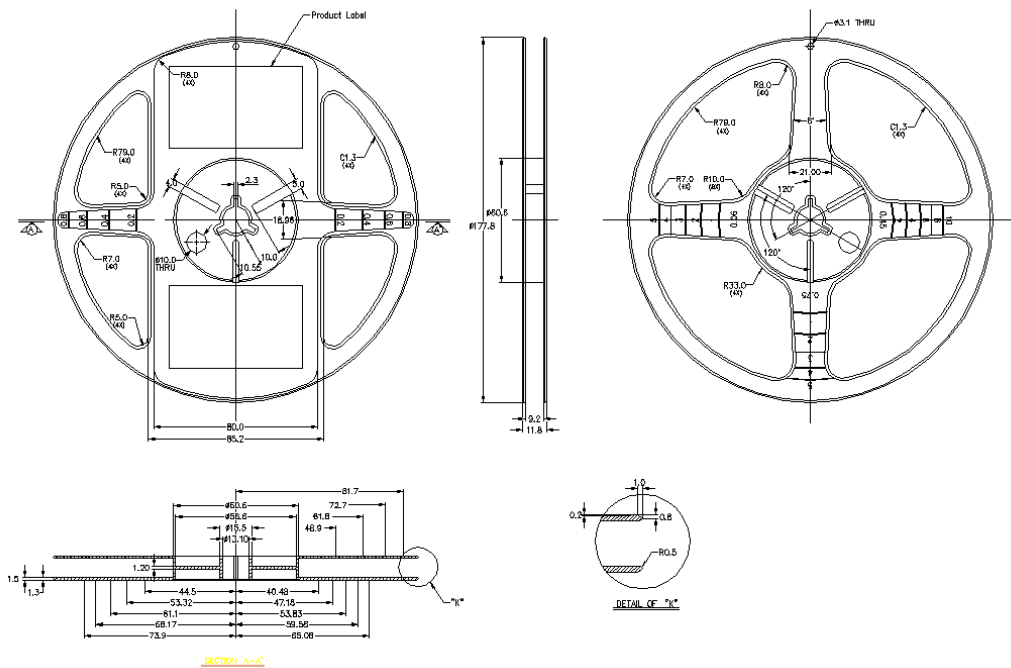
Package	Carrier Width (W)	Pitch (P0)	Pitch (P1)	Part Per Full Reel	Reel Size
UQFN-14L	8 mm	4 mm	4 mm	3,000 pcs	180 mm



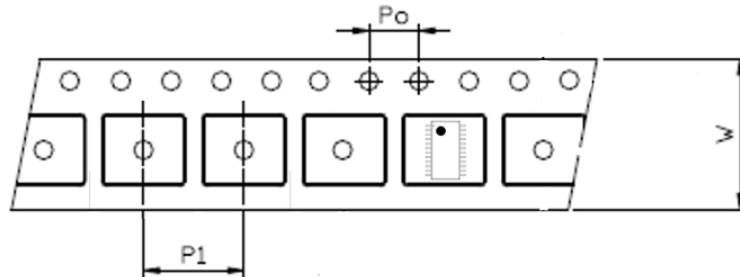
• TDFN8 Package



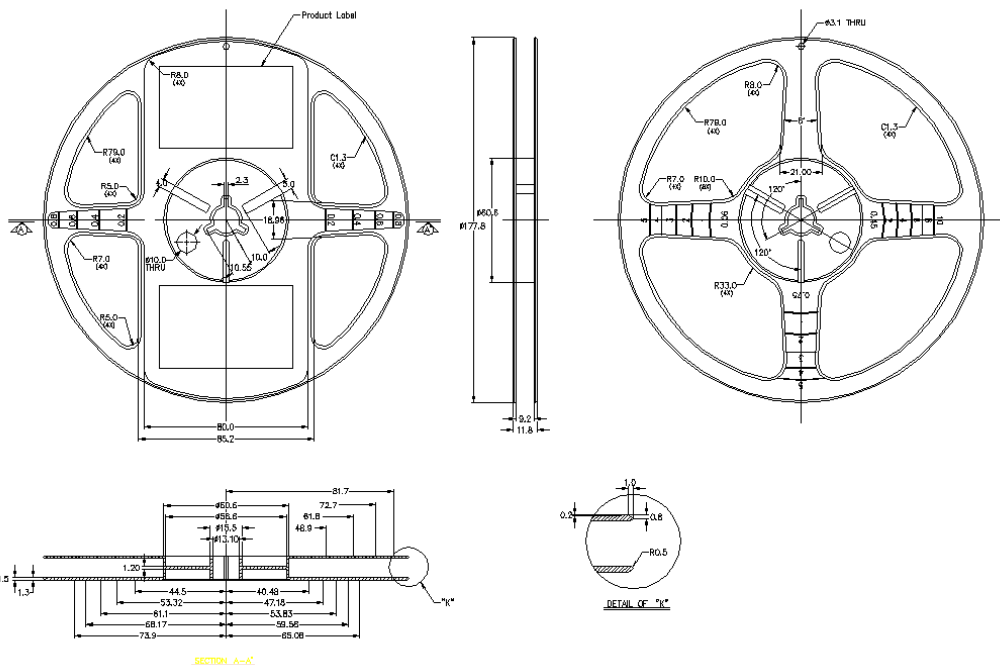
Package	Carrier Width (W)	Pitch (P0)	Pitch (P1)	Part Per Full Reel	Reel Size
TDFN8	8 mm	4 mm	4 mm	3,000 pcs	180 mm



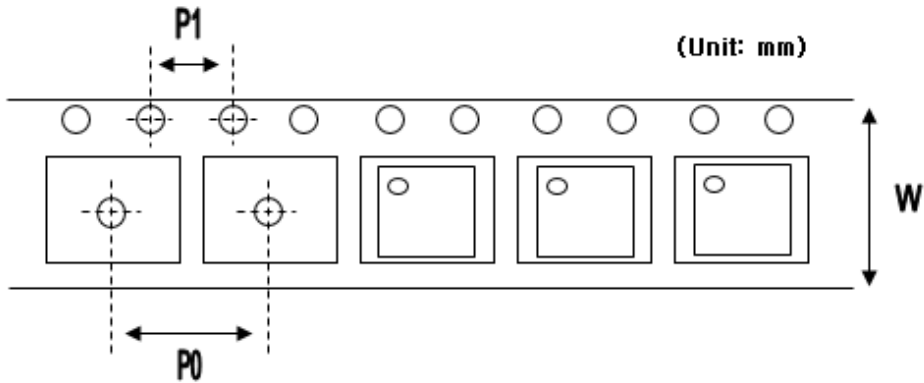
• TSSOP24 Package



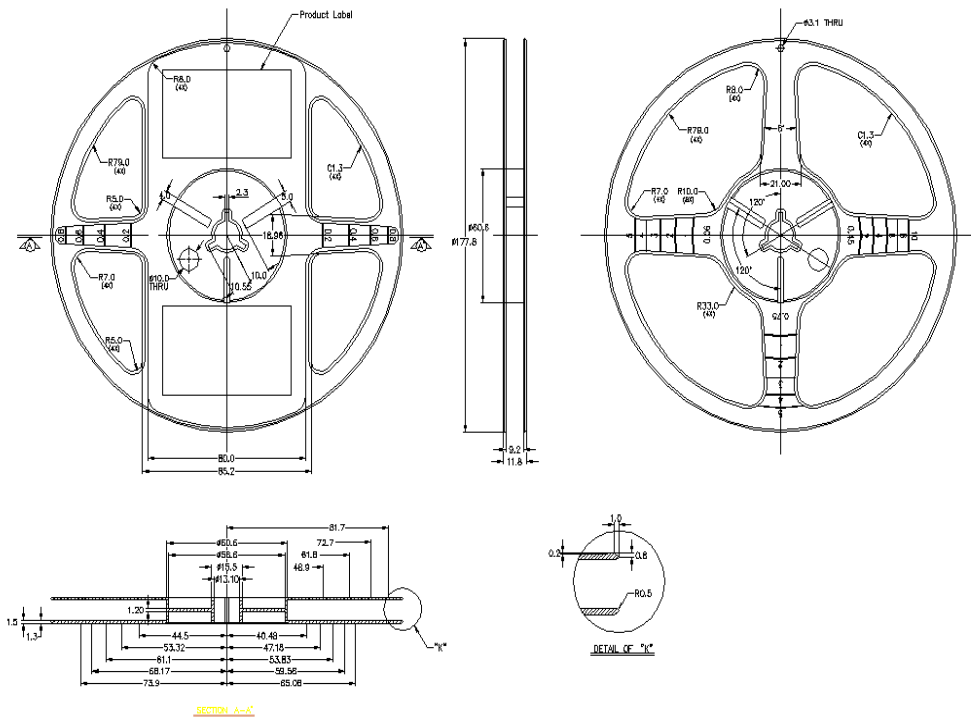
Package	Carrier Width (W)	Pitch (P ₀)	Pitch (P ₁)	Part Per Full Reel	Reel Size
TSSOP24	12 mm	4 mm	8 mm	1,000 pcs	180 mm



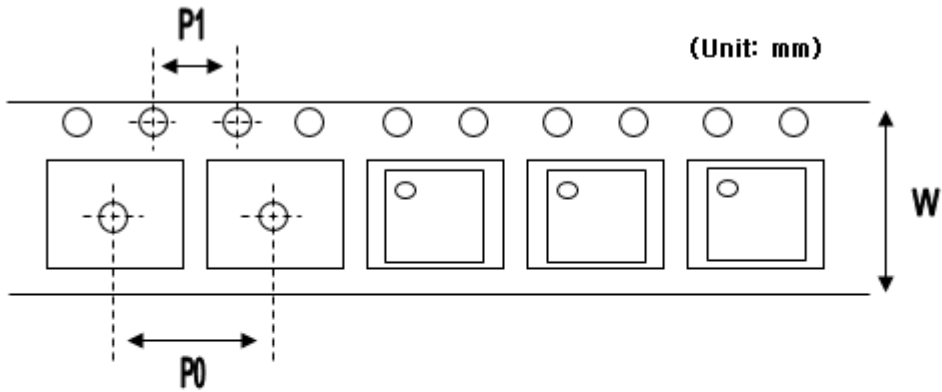
• QFN16L Package



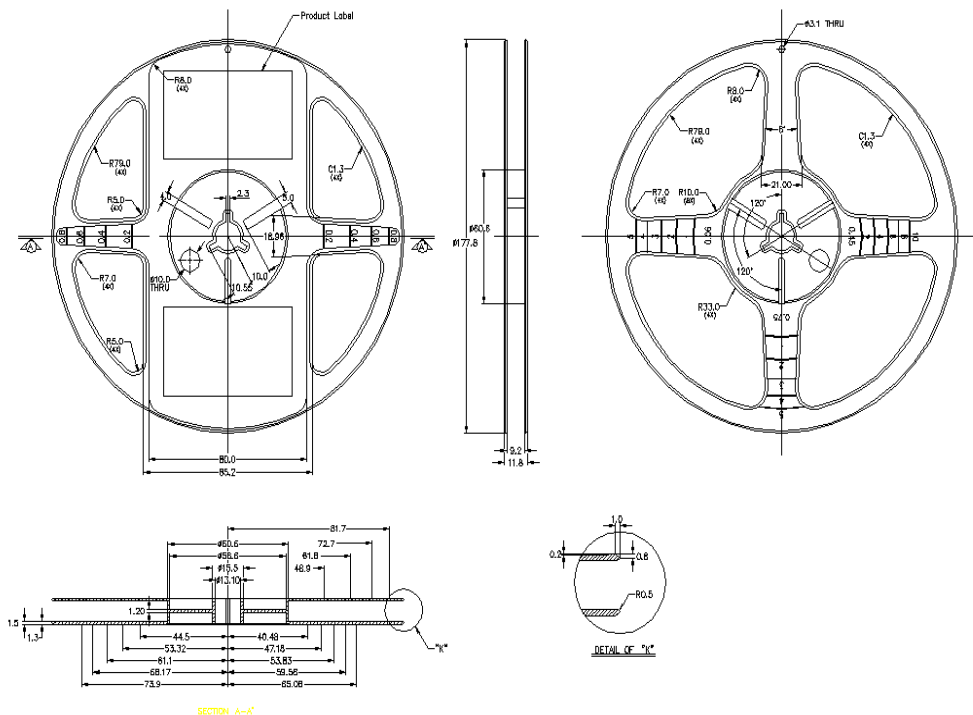
Package	Carrier Width (W)	Pitch (P0)	Pitch (P1)	Part Per Full Reel	Reel Size
QFN16L	12 mm	8 mm	4 mm	1,500 pcs	180 mm



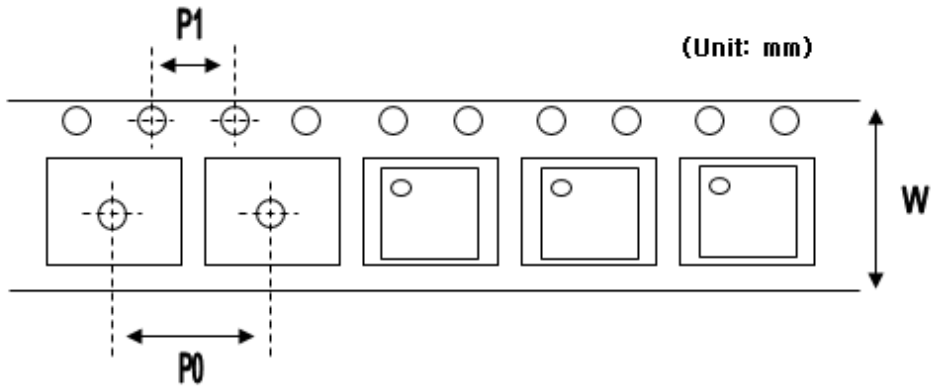
• QFN24L Package



Package	Carrier Width (W)	Pitch (P0)	Pitch (P1)	Part Per Full Reel	Reel Size
QFN24L	12 mm	8 mm	4 mm	1,500 pcs	180 mm



- TDFN10 Package



Package	Carrier Width (W)	Pitch (P0)	Pitch (P1)	Part Per Full Reel	Reel Size
TDFN10	16 mm	8 mm	4 mm	1,500 pcs	180 mm

